

Design & Technology

Design Decisions

Materials required for questions

- Pencil
- Rubber
- Calculator

Instructions

- Use black ink or ball-point pen
- Try to answer all questions
- Use the space provided to answer questions
- Calculators can be used if necessary
- For the multiple choice questions, circle your answer

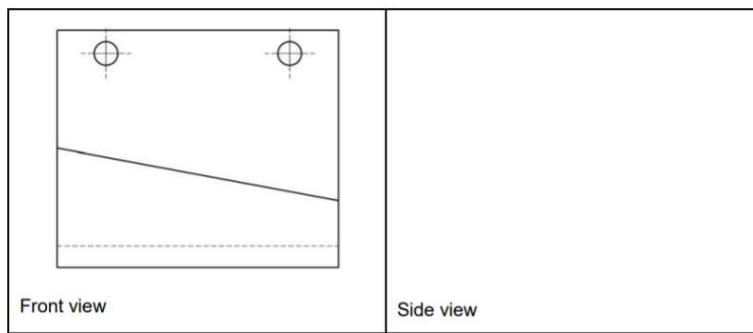
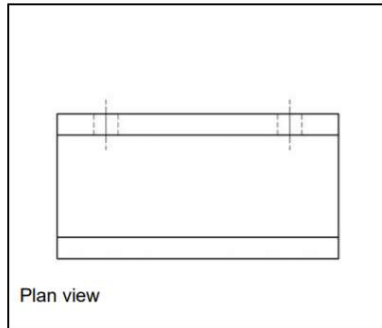
Advice

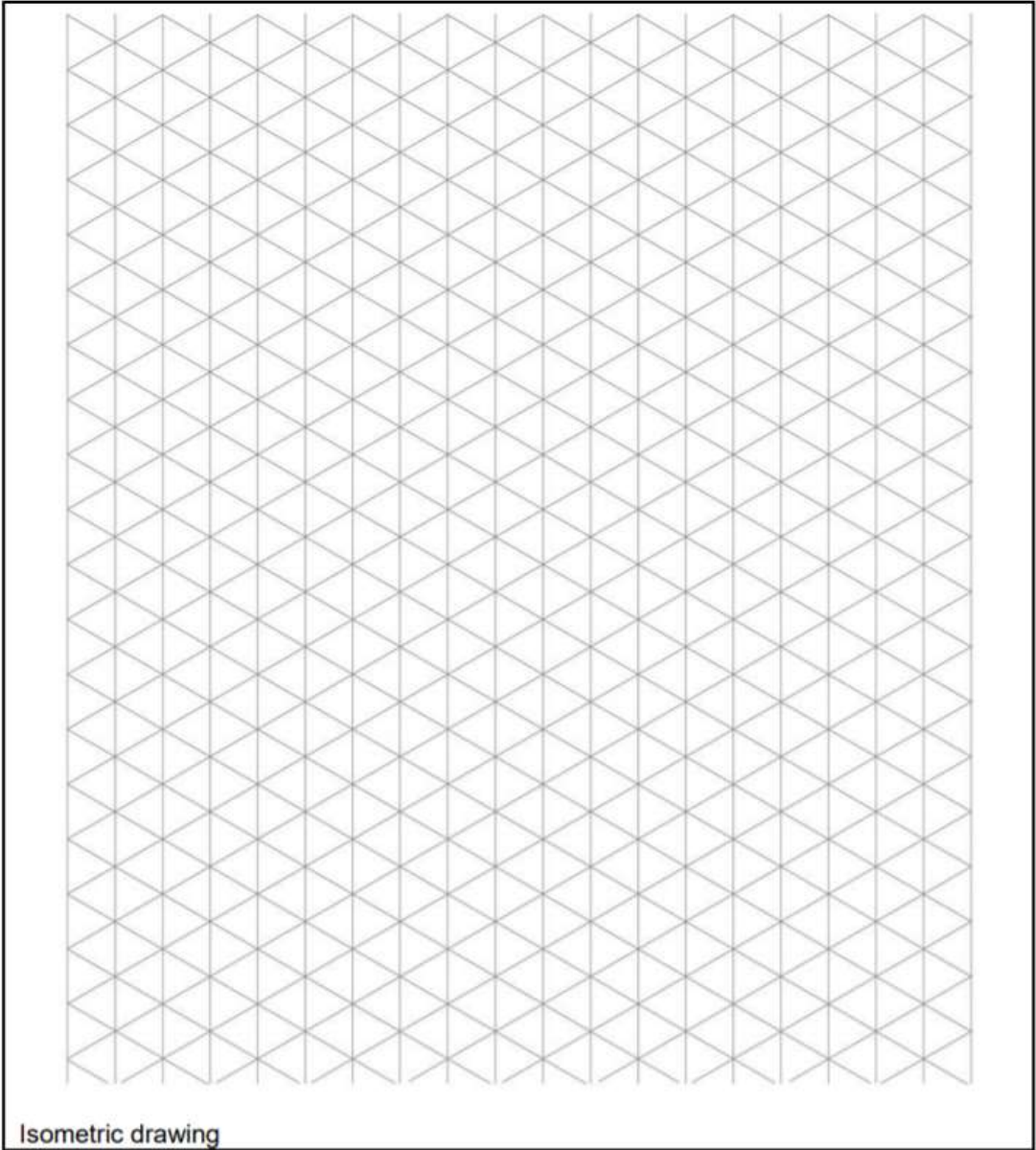
- Marks for each question are in brackets
- Read each question fully
- Don't spend too much time on one question

Good luck!

Q1. Below is a drawing of a storage rack for letters.

Complete the third angle orthographic projection by adding a side view and isometric drawing of the shape in the boxes provided **(5 marks)**





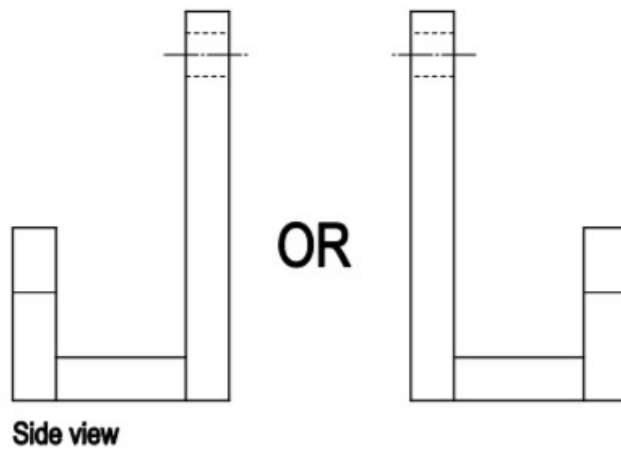
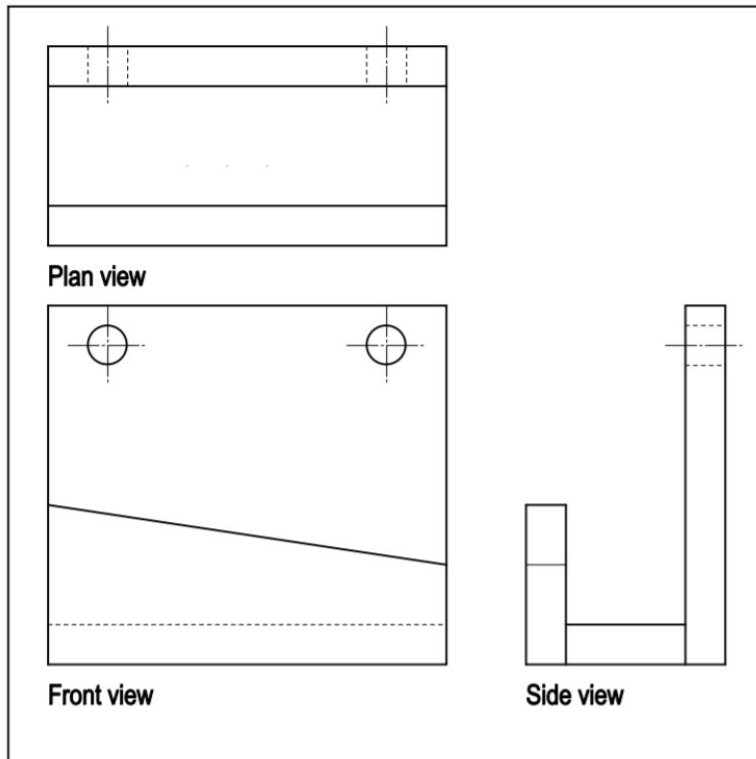
Isometric drawing

Answers

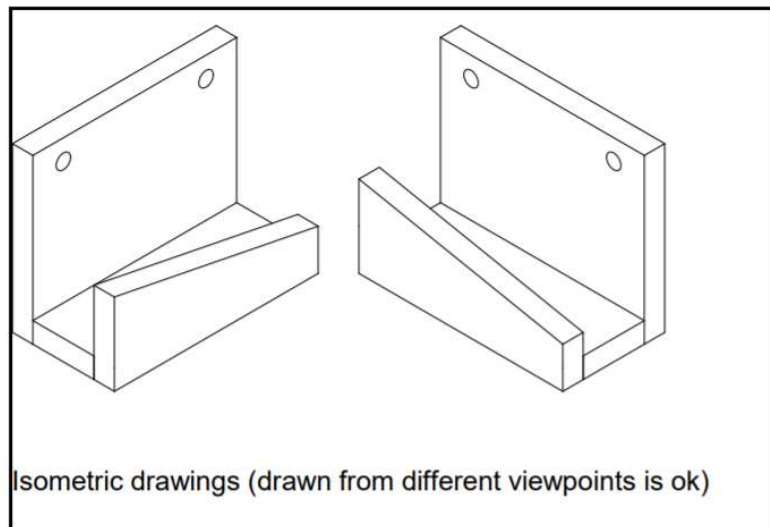
Q1.

Side view:

- Shape is correct (1st or 3rd angle/reward mirror image/either way round – see below) (1)
- Hole hidden detail (use of dotted lines) is correct (1)
- Look for a 'J' shape



- Isometric drawing: NB Image is indicative of correct image from one corner only. A candidate may have drawn shape correctly from a different view point and full credit is available if it satisfies the criteria below.
- Drawing must be isometric, not perspective, oblique etc.
- General shape is correct (slope and holes etc) (1)
- Slope on front section drawn correct way round (1)
- Holes are in correct place (1)



Do not penalise if holes are not totally correct.
Accept circular or elliptical holes